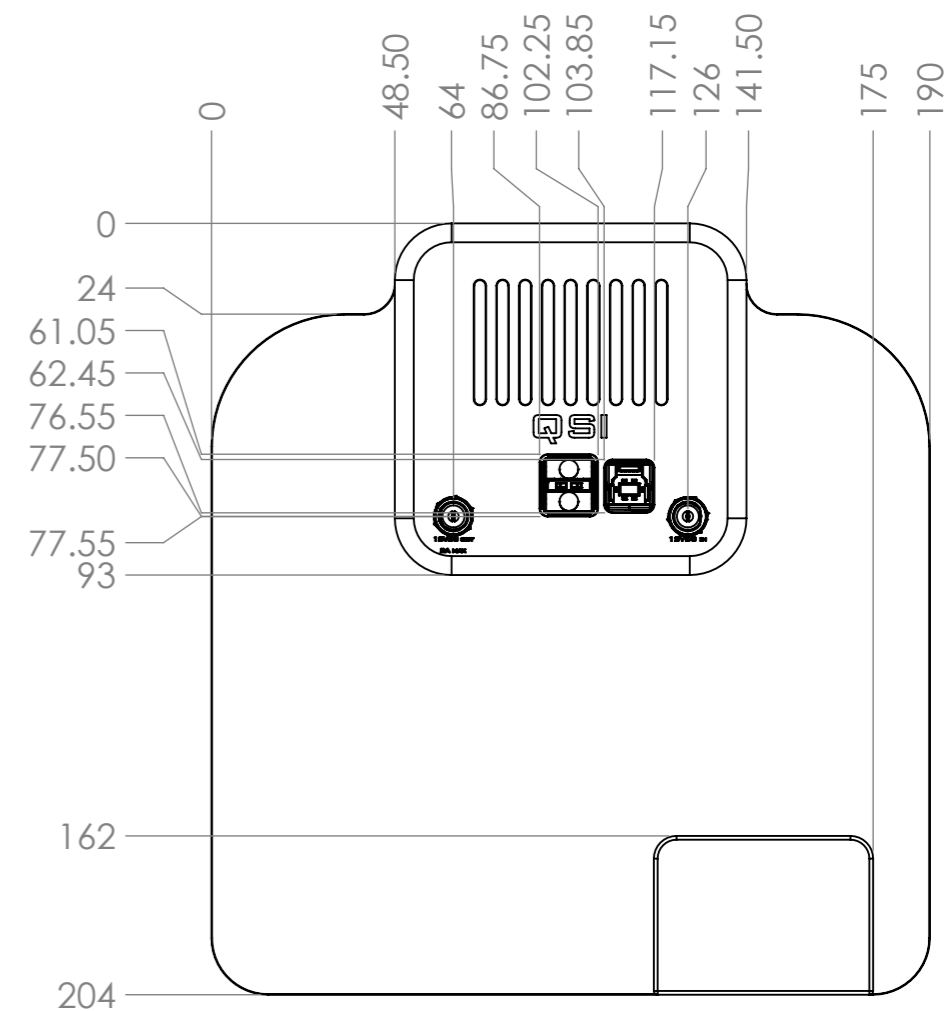
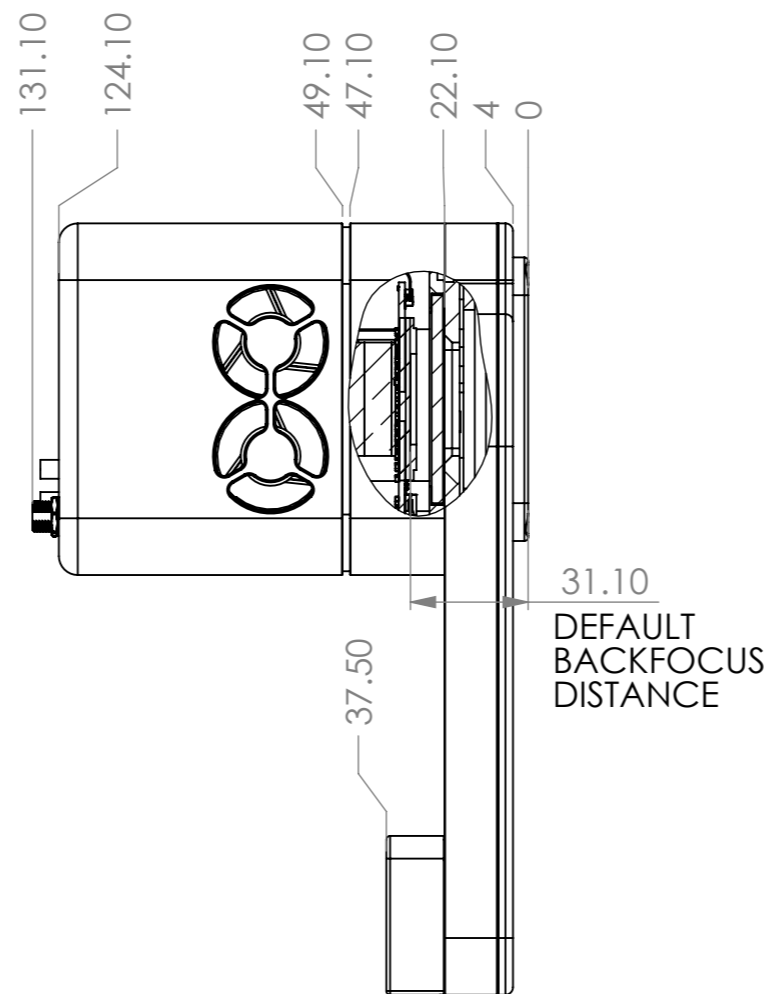
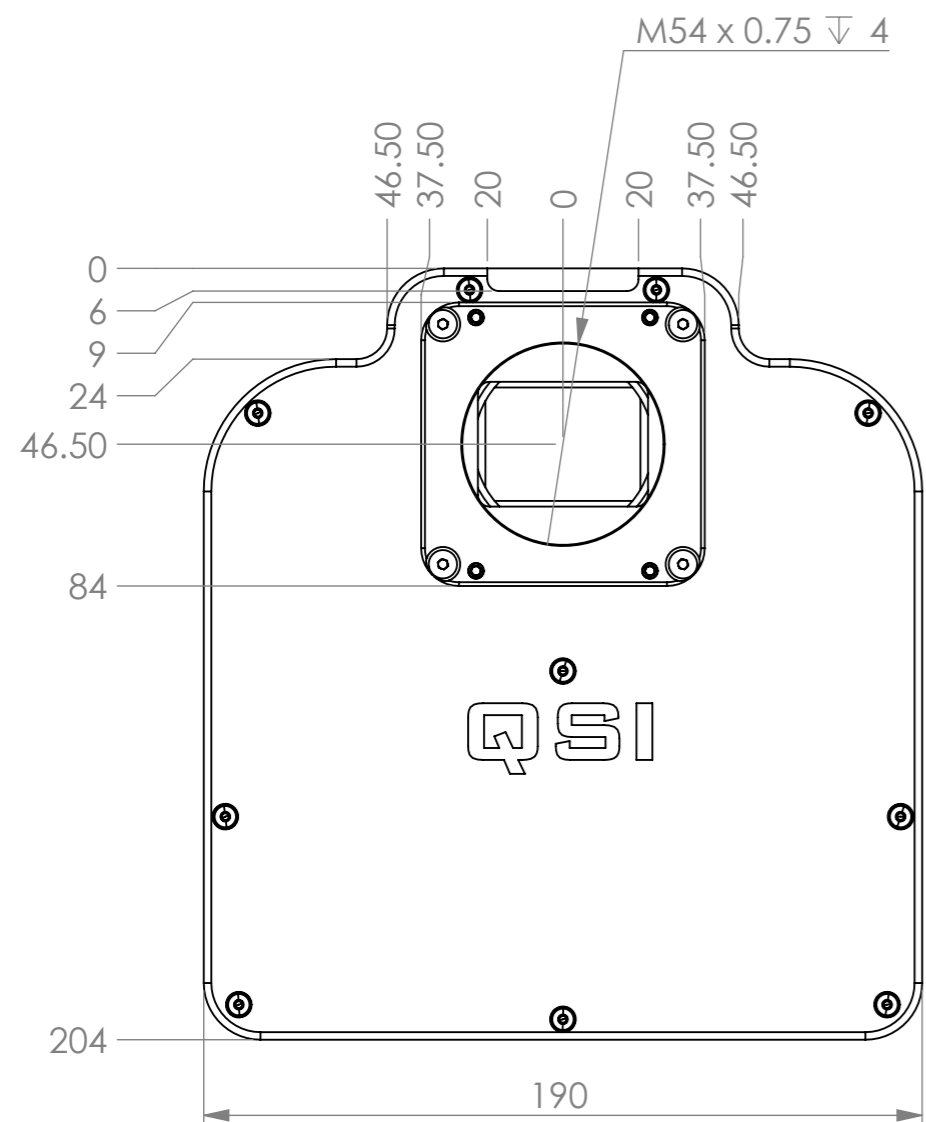
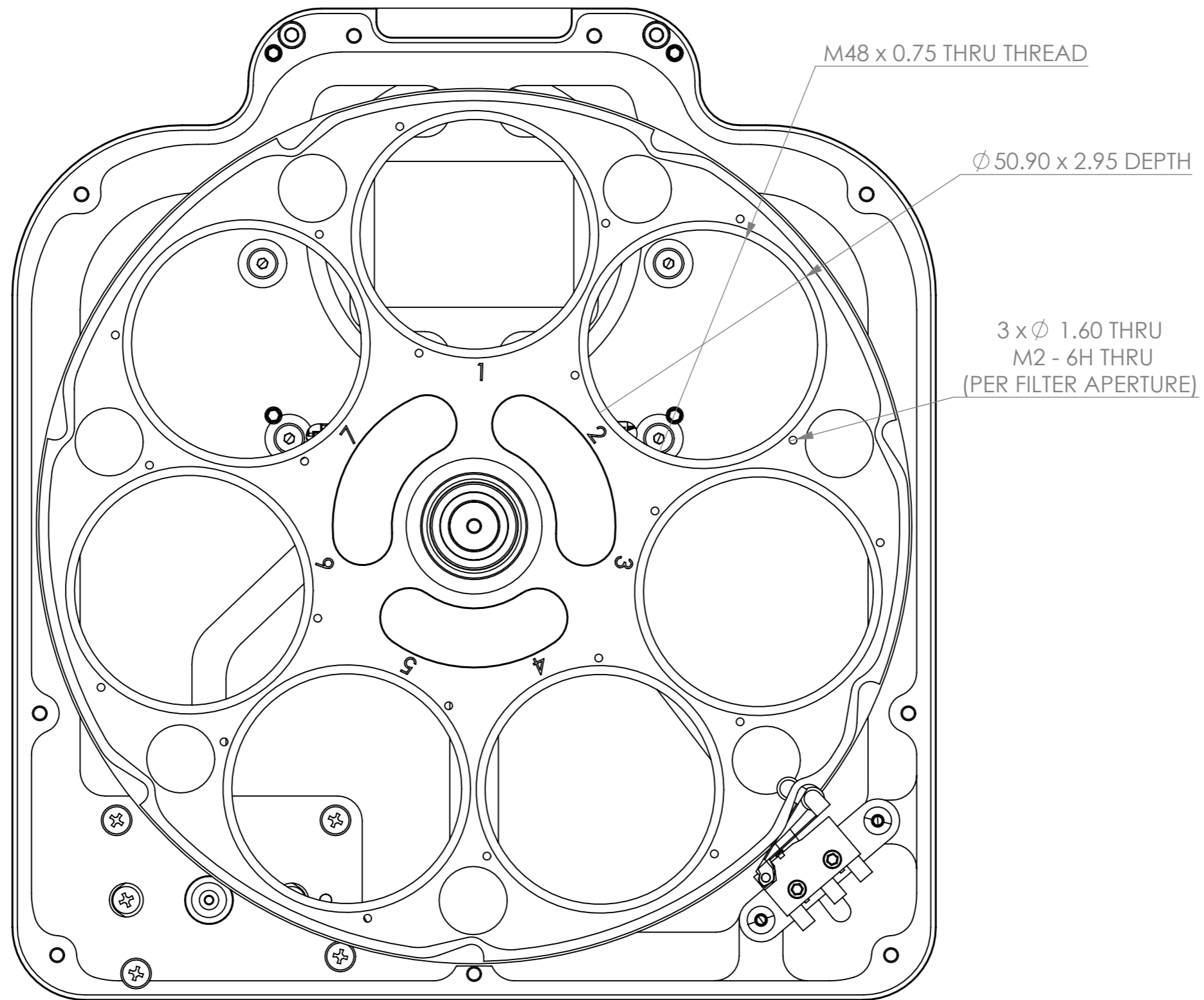


REVISION		
REV.	DESCRIPTION	DATE



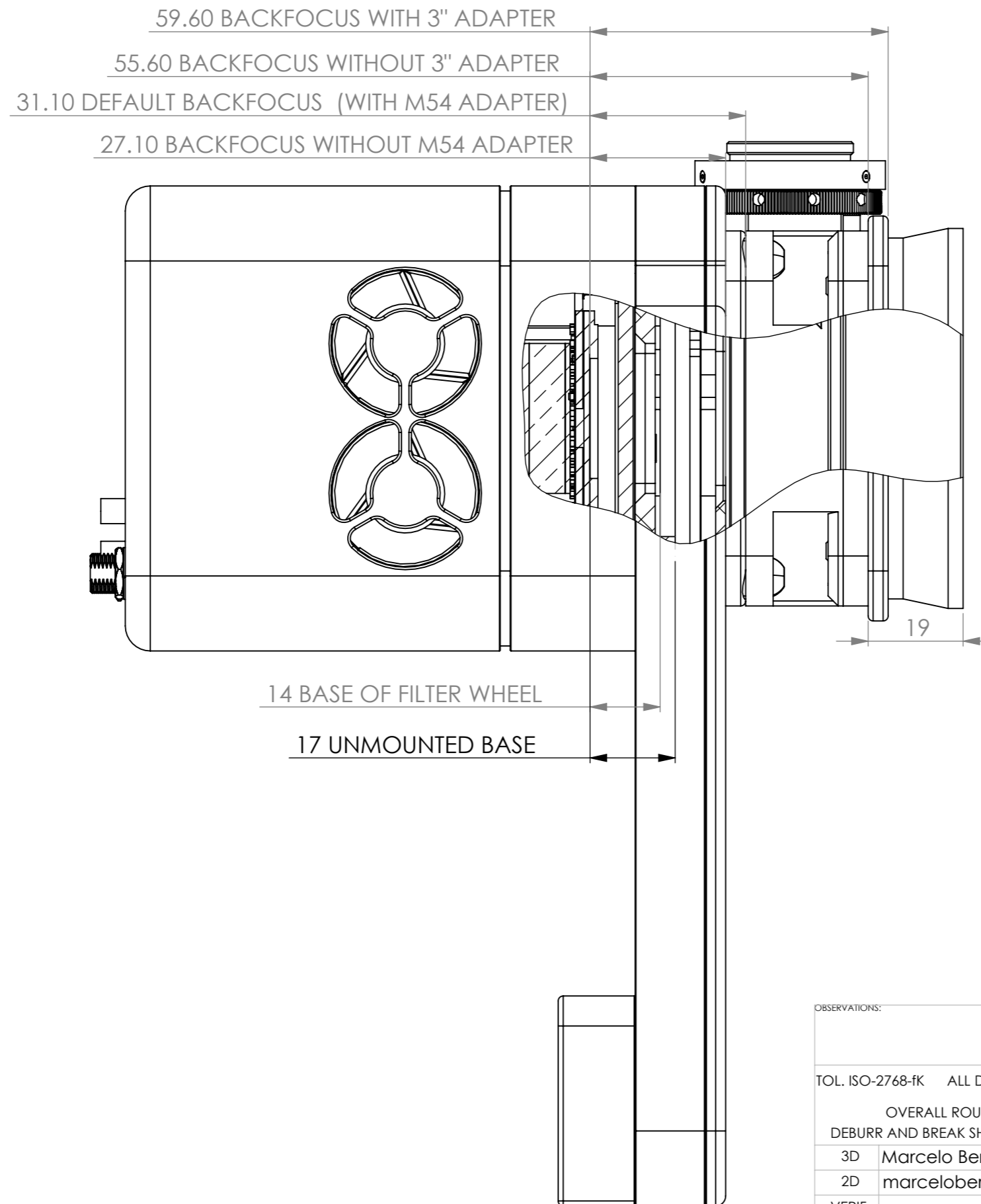
OBSERVATIONS:				QSI	
TOL. ISO-2768-fk ALL DIMENSIONS ARE IN mm		MATERIAL:	OVERALL DIMENSIONS:	MASS (grams):	
OVERALL ROUGHNESS: 3.2/∇		SURFACE TREATMENT:	HEAT TREATMENT:	HARDNESS: Hrc	
DEBURR AND BREAK SHARP EDGES: 0.2 x 45°		DESCRIPTION:			
3D	Marcelo Bernardes 24/06/2024	PART CODE:		QSI760W7	
2D	marcelobernades 02/07/2024	SYMMETRIC PART CODE:		QTY:	
VERIF.				SYMM QTY:	
APROV.					

SCALE: 1:2



OBSERVATIONS:				QSI	
TOL. ISO-2768-fk ALL DIMENSIONS ARE IN mm		MATERIAL:	OVERALL DIMENSIONS:	MASS (grams):	
OVERALL ROUGHNESS: DEBURR AND BREAK SHARP EDGES: 0.2 x 45°		SURFACE TREATMENT:	HEAT TREATMENT:	HARDNESS: Hrc	
3D	Marcelo Bernardes 24/06/2024	DESCRIPTION:			
2D	marcelobernades 02/07/2024	PART CODE:		QSI760W7	
VERIF.		SYMMETRIC PART CODE:		QTY:	
APROV.				SYMM QTY:	
		SCALE: 1:1			

CAMERA + OAG SETUP



NOTES:

- DEFAULT GUIDE CAMERA ADAPTER IS CS-MOUNT;
- FOR 8.5MM BACKFOCUS GUIDER CAMERAS TO BE USED, THE M54 ADAPTER SHALL BE REMOVED;
- 3" DOVETAIL ADAPTER HAS AN INTERNAL THREAD OF M68 X 1.
- MAXIMUM FILTER CELL HEIGHT FOR MOUNTED FILTERS - 7.5MM

OBSERVATIONS:		QSI	
TOL. ISO-2768-fk	ALL DIMENSIONS ARE IN mm	MATERIAL:	OVERALL DIMENSIONS:
OVERALL ROUGHNESS: DEBURR AND BREAK SHARP EDGES: 0.2 x 45°		SURFACE TREATMENT:	HEAT TREATMENT:
3D Marcelo Bernardes 24/06/2024	DESCRIPTION:	HARDNESS: Hrc	
2D marcelobernades 02/07/2024	PART CODE: QSI760W7		QTY:
VERIF.	SYMMETRIC PART CODE:		SYMM QTY:
APROV.	SCALE: 1:1		