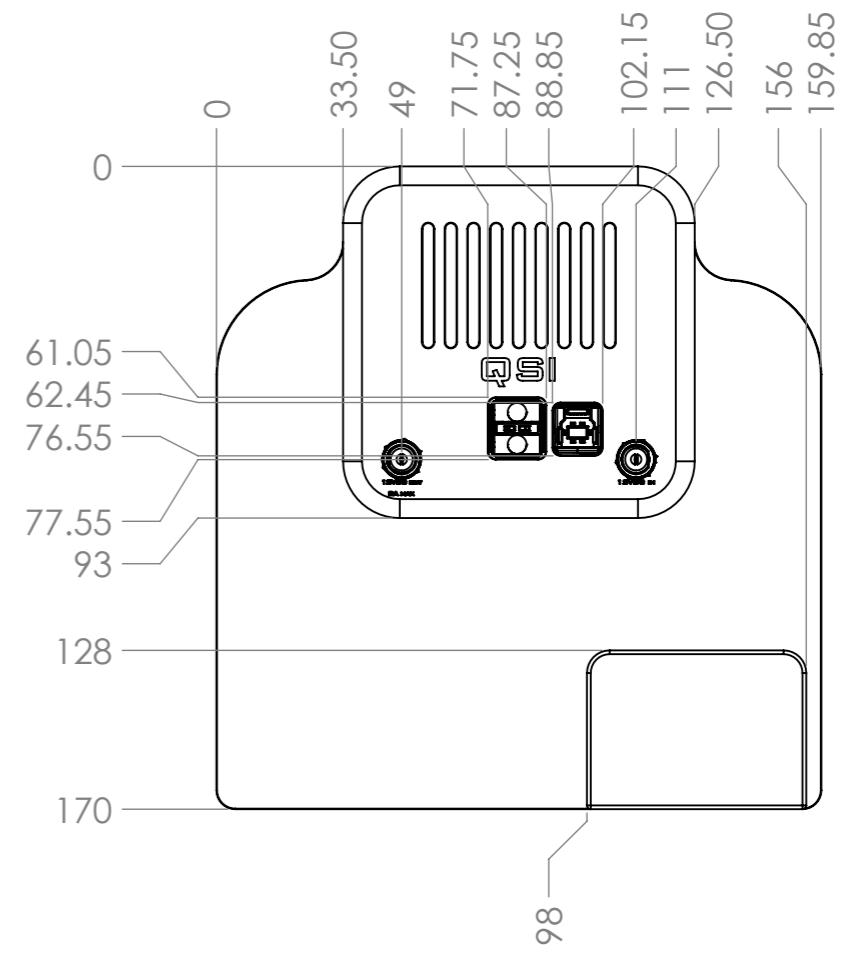
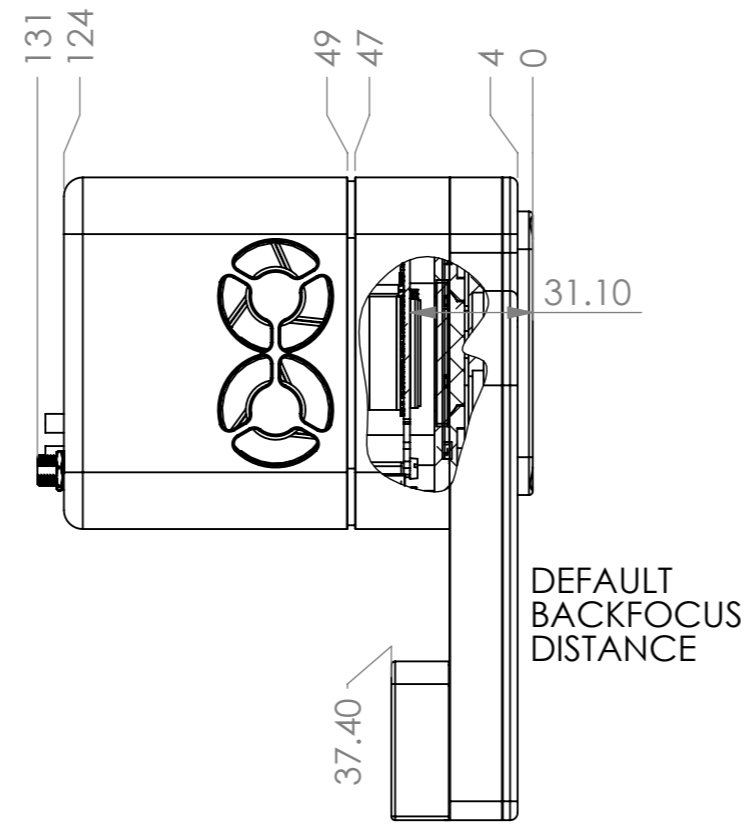
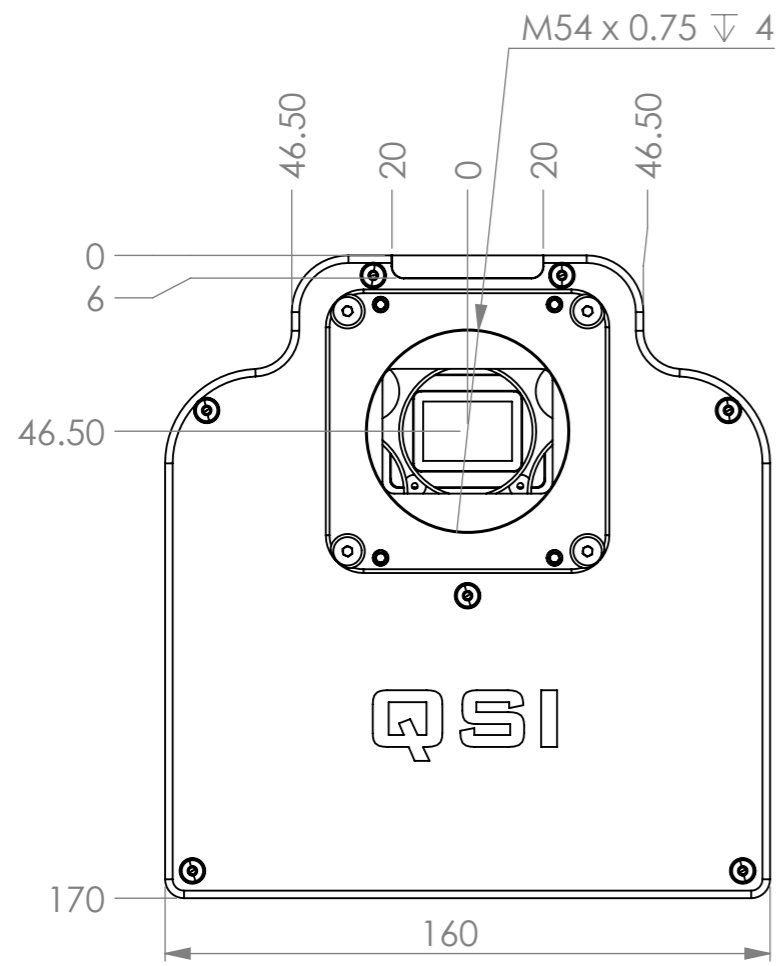


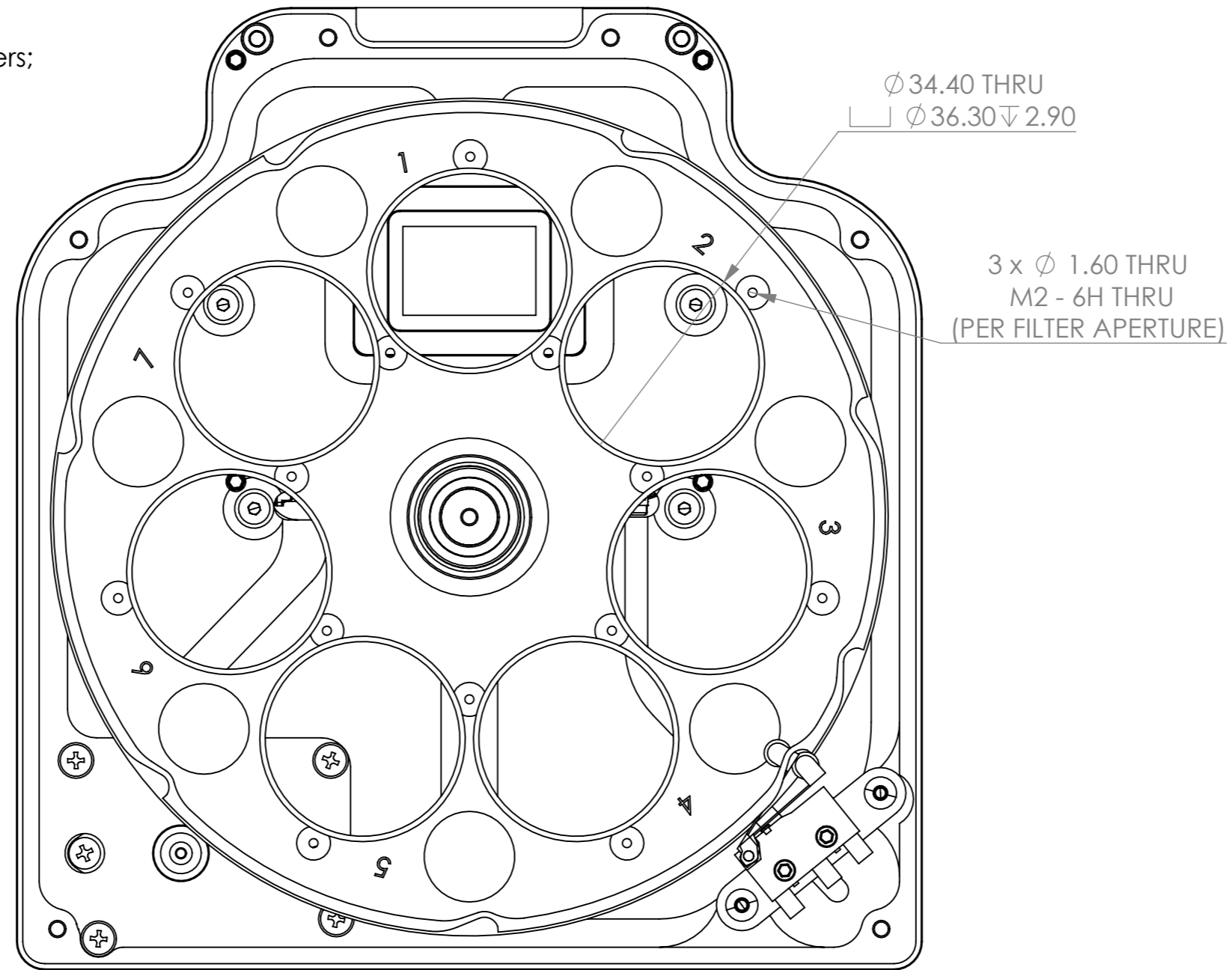
REVISION		
REV.	DESCRIPTION	DATE



OBSERVATIONS:			
TOL. ISO-2768-fk ALL DIMENSIONS ARE IN mm		MATERIAL:	OVERALL DIMENSIONS:
OVERALL ROUGHNESS: 3.2/√		SURFACE TREATMENT:	HEAT TREATMENT:
DEBURR AND BREAK SHARP EDGES: 0.2 x 45°		HARDNESS: Hrc	
3D	Marcelo Bernardes 25/06/2024	DESCRIPTION:	
2D	marcelobernades 20/12/2024	PART CODE:	QSI726W7
VERIF.		SYMMETRIC PART CODE:	
APROV.			
SCALE: 1:2			

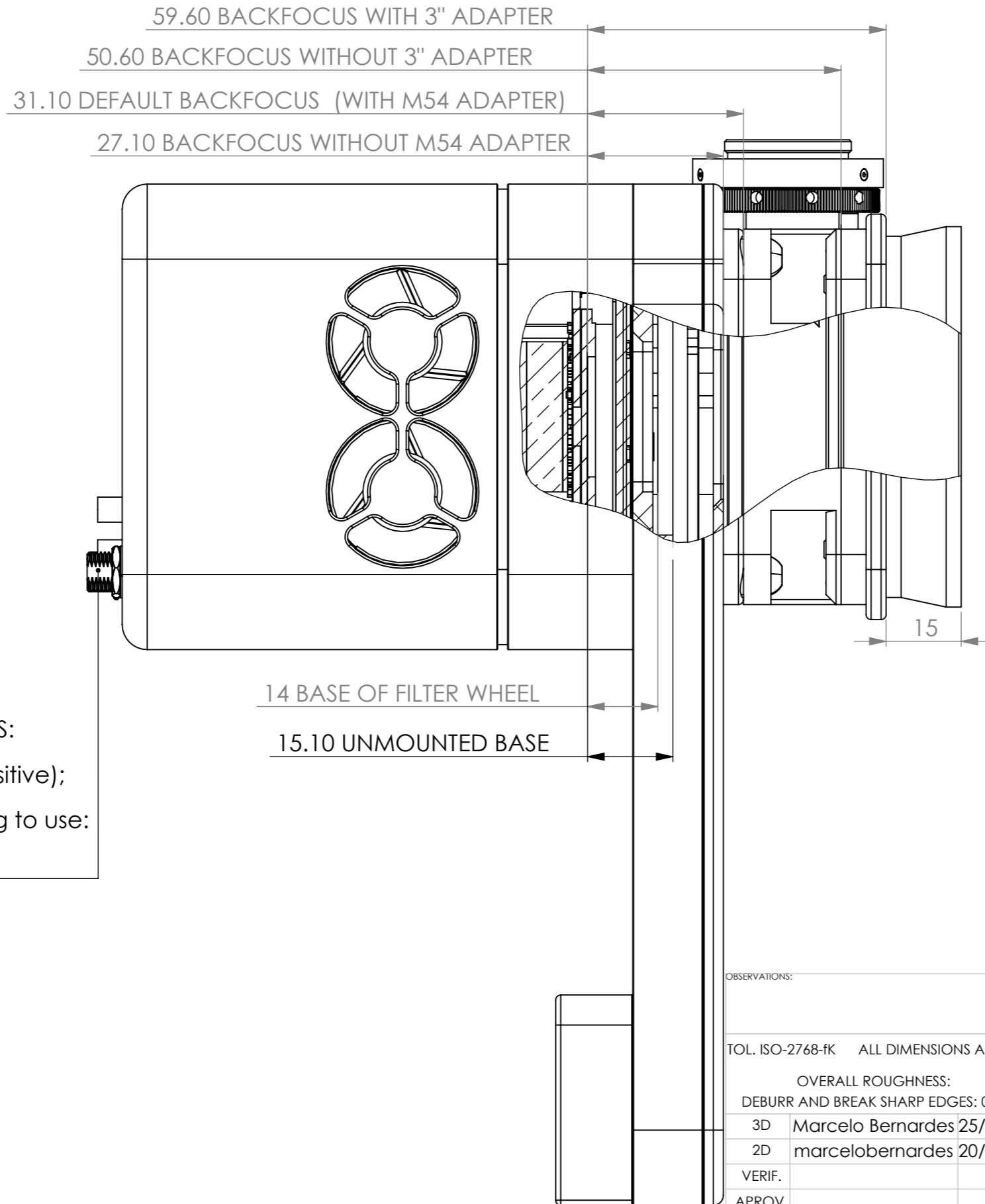
FILTER SIZE COMPATIBILITY:

- Ø 36 x 3 mm Unmounted Filters;



OBSERVATIONS:					
TOL. ISO-2768-fk ALL DIMENSIONS ARE IN mm		MATERIAL:	OVERALL DIMENSIONS:	MASS (grams):	
OVERALL ROUGHNESS: DEBURR AND BREAK SHARP EDGES: 0.2 x 45°		SURFACE TREATMENT:	HEAT TREATMENT:	HARDNESS: Hrc	
3D	Marcelo Bernardes 25/06/2024	DESCRIPTION:			
2D	marcelobernades 20/12/2024				
VERIF.		PART CODE:		QSI726W7	QTY:
APROV.		SYMMETRIC PART CODE:			SYMM QTY:
		SCALE: 1:1			

CAMERA + OAG SETUP



POWER CONNECTOR DETAILS:
 - 2 x Ø2.5mm pin (Center Positive);
 - Recommended power plug to use:
 SWITCHCRAFT 761K

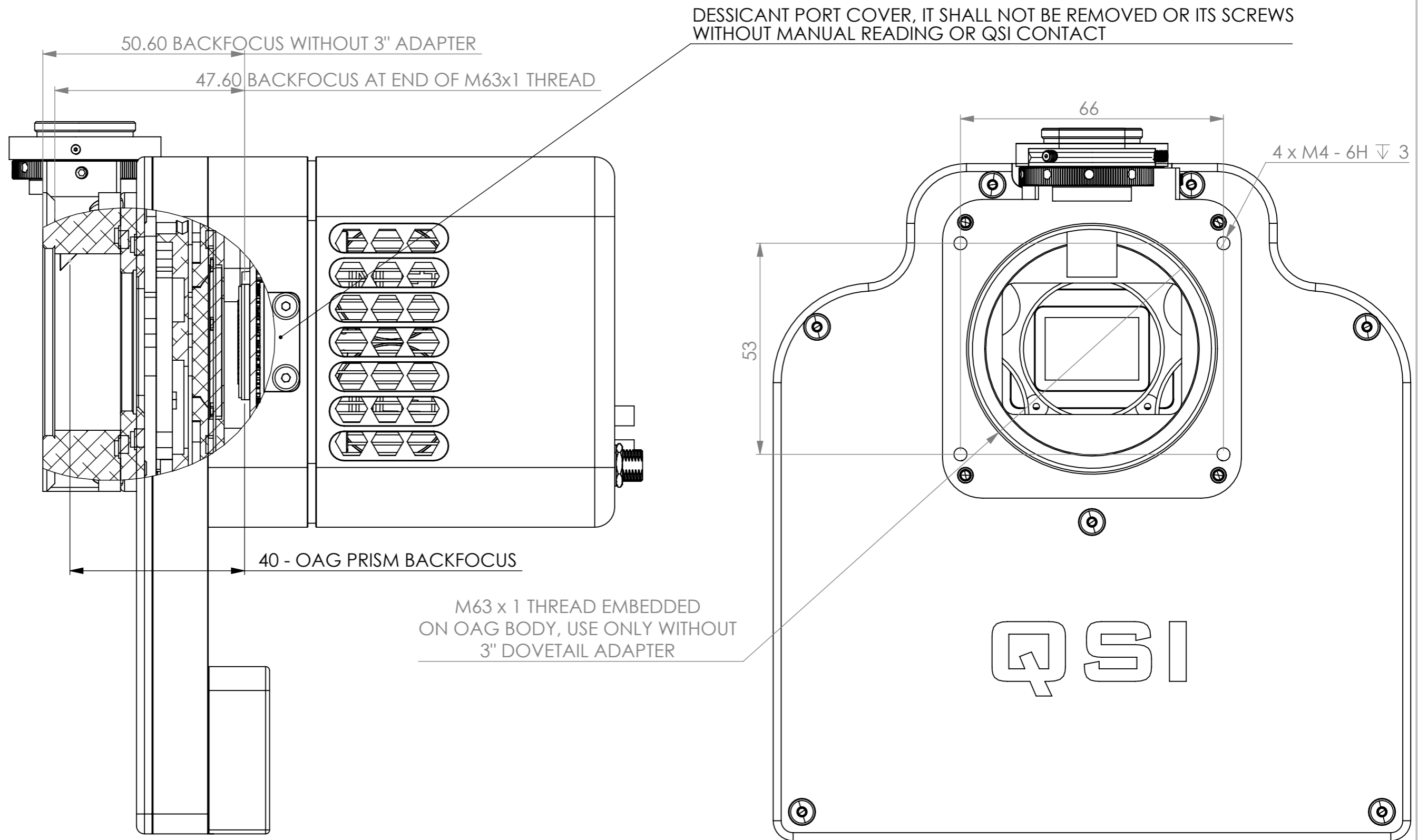
NOTES:

- DEFAULT GUIDE CAMERA ADAPTER IS CS-MOUNT;
- FOR 8.5MM BACKFOCUS GUIDER CAMERAS TO BE USED, THE M54 ADAPTER SHALL BE REMOVED;
- 3" DOVETAIL ADAPTER HAS AN INTERNAL THREAD OF M68 X 1.

OBSERVATIONS:		MATERIAL:		OVERALL DIMENSIONS:		MASS (grams):	
TOL. ISO-2768-fk ALL DIMENSIONS ARE IN mm		SURFACE TREATMENT:		HEAT TREATMENT:		HARDNESS: Hrc	
OVERALL ROUGHNESS: DEBURR AND BREAK SHARP EDGES: 0.2 x 45°		DESCRIPTION:		PART CODE:		QTY:	
3D	Marcelo Bernardes 25/06/2024	VERIF.		APROV.		QSI726W7	
2D	marcelobernades 20/12/2024	SYMMETRIC PART CODE:		SYMM QTY:			



SCALE: 1:1



NOTES:

- FOR CAMERA + OAG USAGE WITHOUT 3" DOVETAIL ADAPTER, THE STATED BACKFOCUS DISTANCES ARE GIVEN WITH M54 MOUNT/SPACER BETWEEN THE OAG AND THE CAMERA;
- FOR GUIDE CAMERAS WITH 8.5mm OF BACKFOCUS THE M54 MOUNT/SPACER SHALL BE REMOVED, WITH THAT THE GIVEN BACKFOCUS DISTANCES WILL BE REDUCED BY 4mm (46.60 & 43.60, RESPECTIVELY);
- ALL GIVEN BACKFOCUS DISTANCES ARE PURELY MECHANICAL, FOR OPTICAL BACKFOCUS OF THE QSI 700 CAMERAS, CONSIDER ADDING 1.23mm TO EXISTENT DATA;

OBSERVATIONS:				QSI	
TOL. ISO-2768-fk ALL DIMENSIONS ARE IN mm		MATERIAL:	OVERALL DIMENSIONS:	MASS (grams):	
OVERALL ROUGHNESS: DEBURR AND BREAK SHARP EDGES: 0.2 x 45°		SURFACE TREATMENT:	HEAT TREATMENT:	HARDNESS: Hrc	
3D	Marcelo Bernardes 25/06/2024	DESCRIPTION:			
2D	marcelobernades 20/12/2024	PART CODE:		QSI726W7	
VERIF.		SYMMETRIC PART CODE:		QTY:	
APROV.				SYMM QTY:	
SCALE: 1:1					