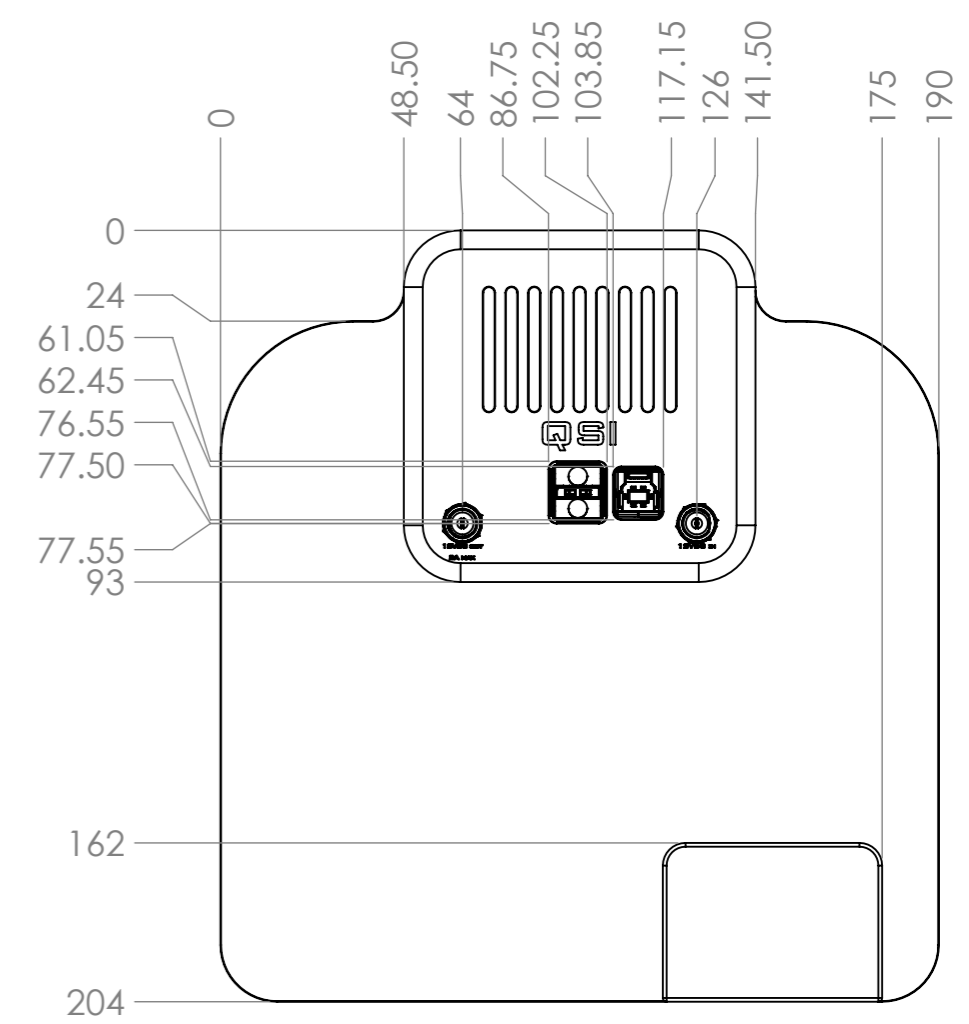
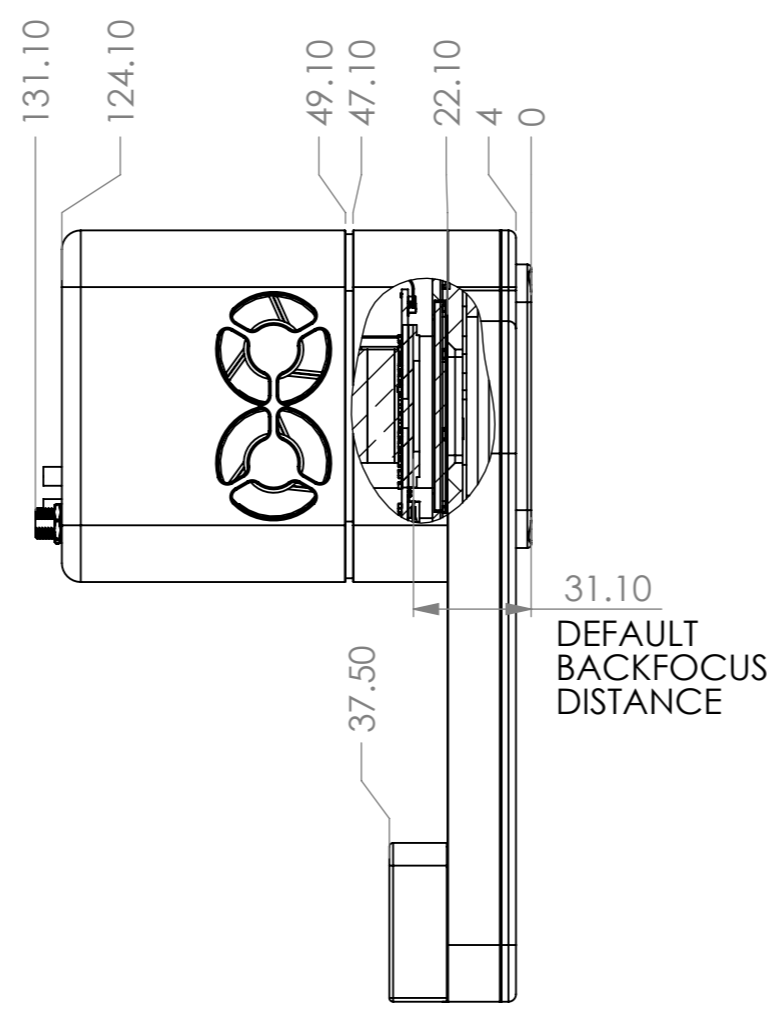
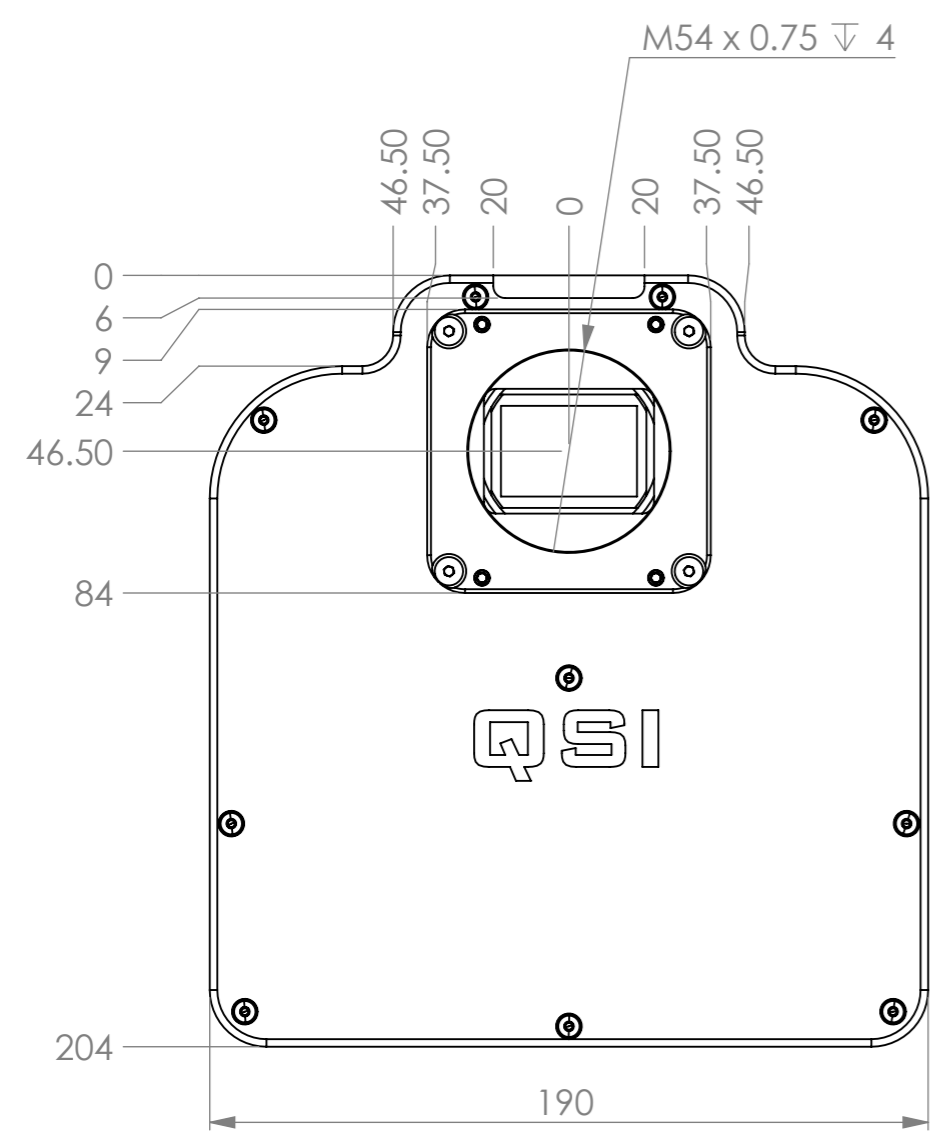


REVISION		
REV.	DESCRIPTION	DATE



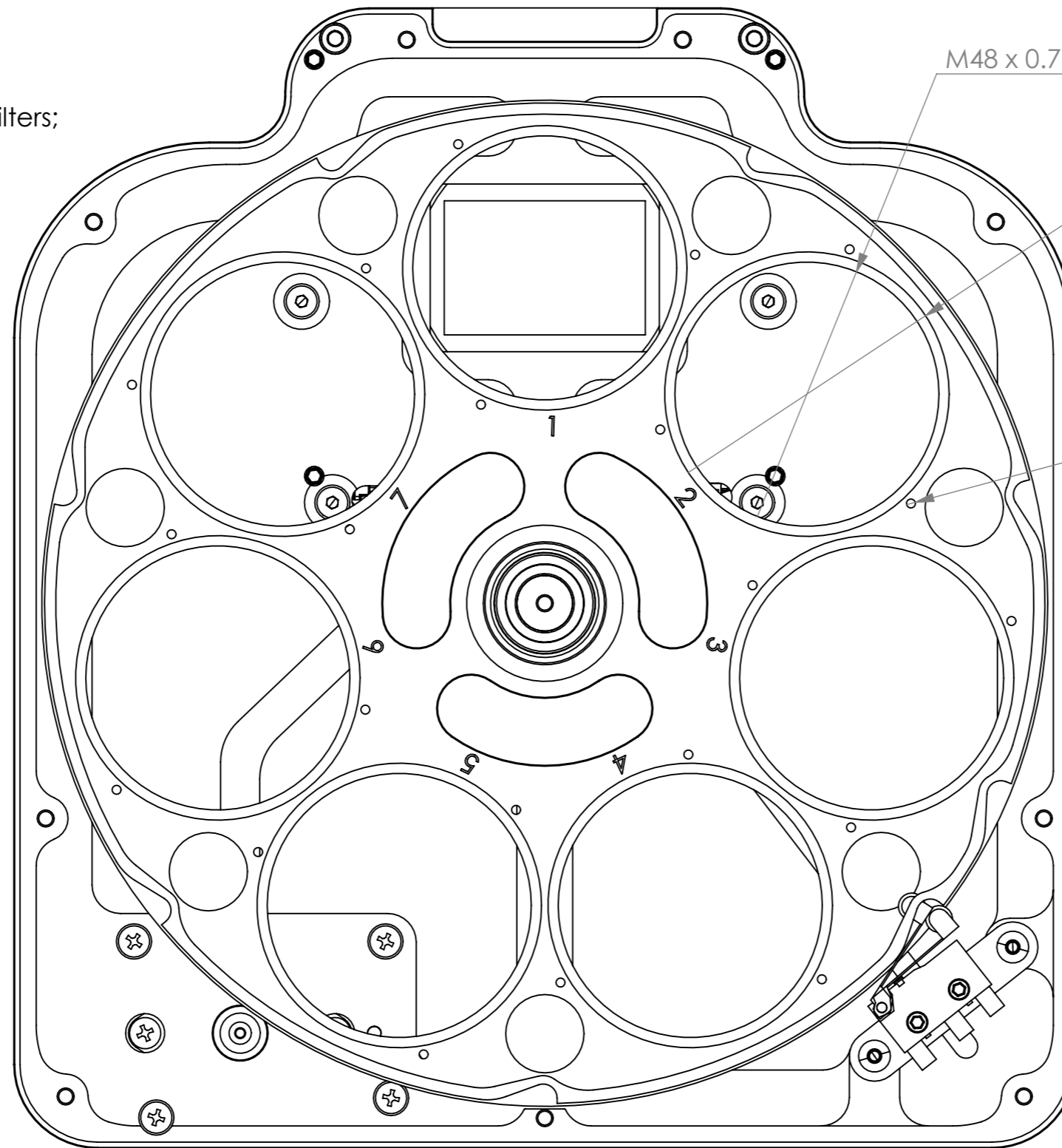
OBSERVATIONS:			
TOL. ISO-2768-fk	ALL DIMENSIONS ARE IN mm	MATERIAL:	OVERALL DIMENSIONS:
OVERALL ROUGHNESS: 3.2/		SURFACE TREATMENT:	HEAT TREATMENT:
DEBURR AND BREAK SHARP EDGES: 0.2 x 45°			HARDNESS: Hrc
3D Marcelo Bernardes 24/06/2024	DESCRIPTION:		
2D marcelobernades 06/12/2024			
VERIF.		PART CODE:	QSI760W7
APROV.		SYMMETRIC PART CODE:	QTY:
			SYMM QTY:

SCALE: 1:2



FILTER SIZE COMPATIBILITY:

- Ø 2" Mounted Filters;
- Ø 50.4 mm Unmounted Filters;



M48 x 0.75 THRU THREAD

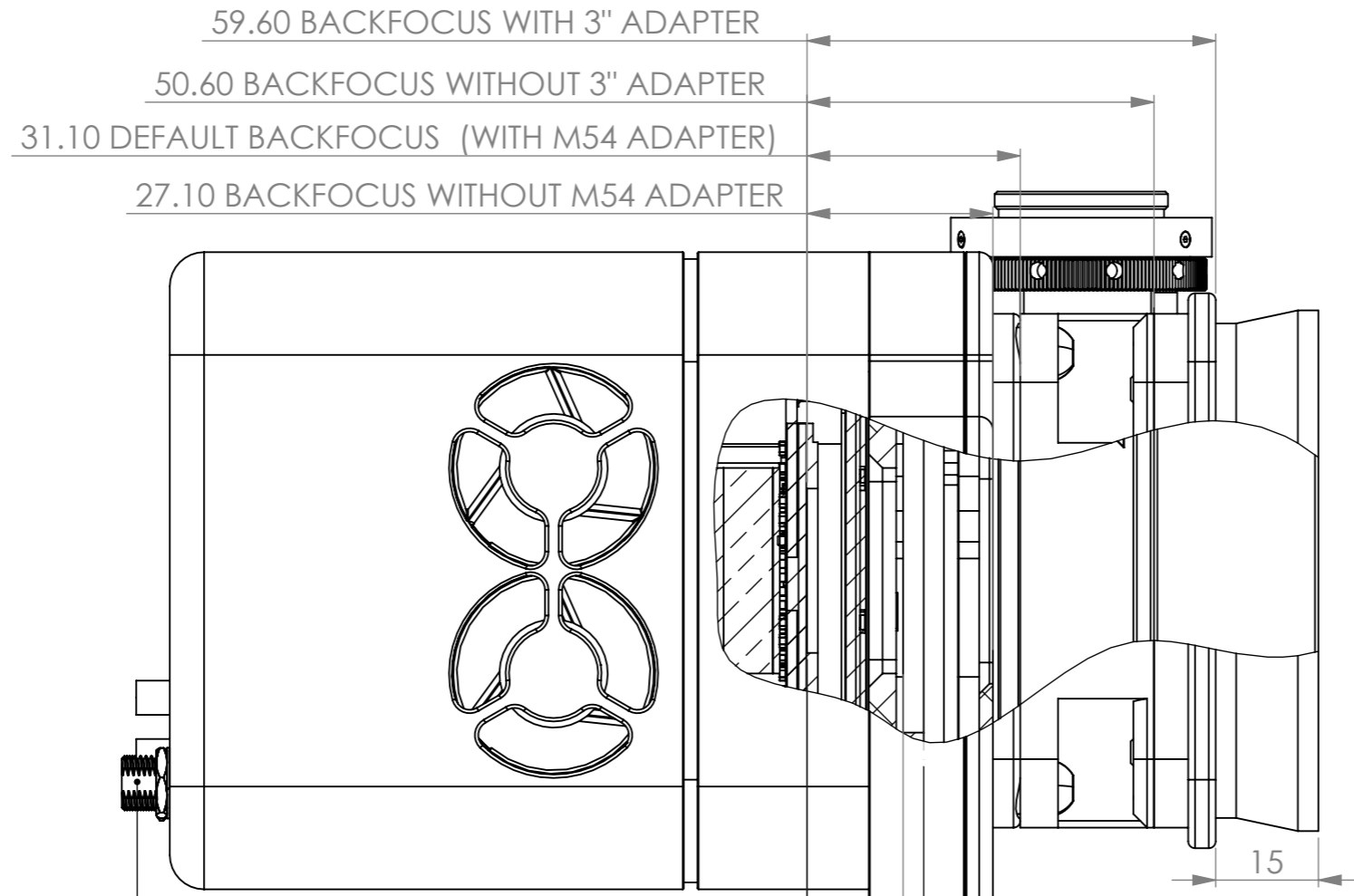
Ø 50.90 x 2.95 DEPTH

3 x Ø 1.60 THRU
M2 - 6H THRU
(PER FILTER APERTURE)



OBSERVATIONS:				QSI	
TOL. ISO-2768-fk ALL DIMENSIONS ARE IN mm		MATERIAL:	OVERALL DIMENSIONS:	MASS (grams):	
OVERALL ROUGHNESS: DEBURR AND BREAK SHARP EDGES: 0.2 x 45°		SURFACE TREATMENT:	HEAT TREATMENT:	HARDNESS: Hrc	
3D	Marcelo Bernardes 24/06/2024	DESCRIPTION:			
2D	marcelobernades 06/12/2024				
VERIF.		PART CODE:		QSI760W7	
APROV.		SYMMETRIC PART CODE:		QTY: SYMM QTY:	
		SCALE: 1:1			

CAMERA + OAG SETUP



POWER CONNECTOR DETAILS:

- 2 x Ø2.5mm pin (Center Positive);
- Recommended power plug to use: SWITCHCRAFT 761K

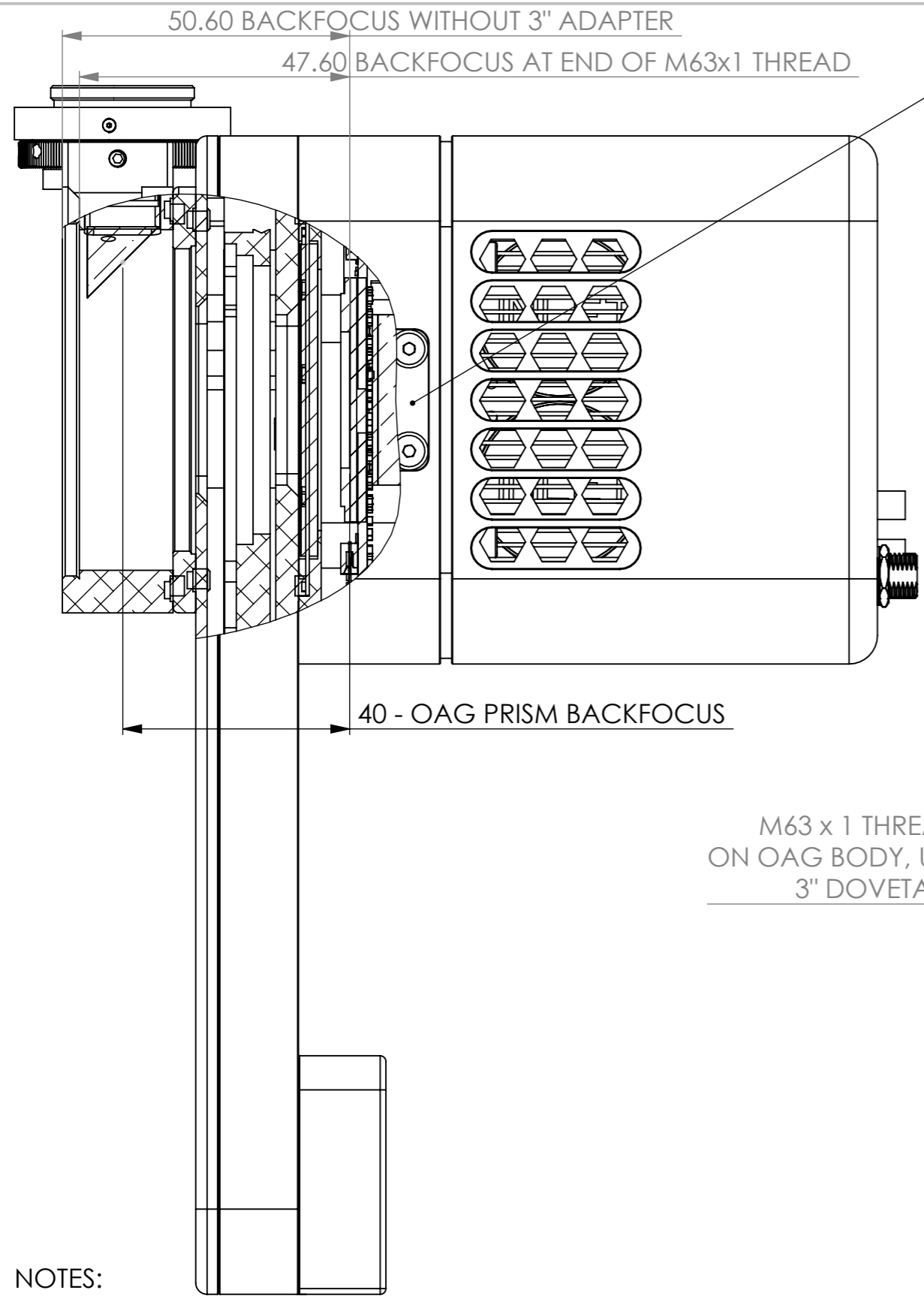
NOTES:

- DEFAULT GUIDE CAMERA ADAPTER IS CS-MOUNT;
- FOR 8.5MM BACKFOCUS GUIDER CAMERAS TO BE USED, THE M54 ADAPTER SHALL BE REMOVED;
- 3" DOVETAIL ADAPTER HAS AN INTERNAL THREAD OF M68 X 1.
- MAXIMUM FILTER CELL HEIGHT FOR MOUNTED FILTERS - 7.5MM

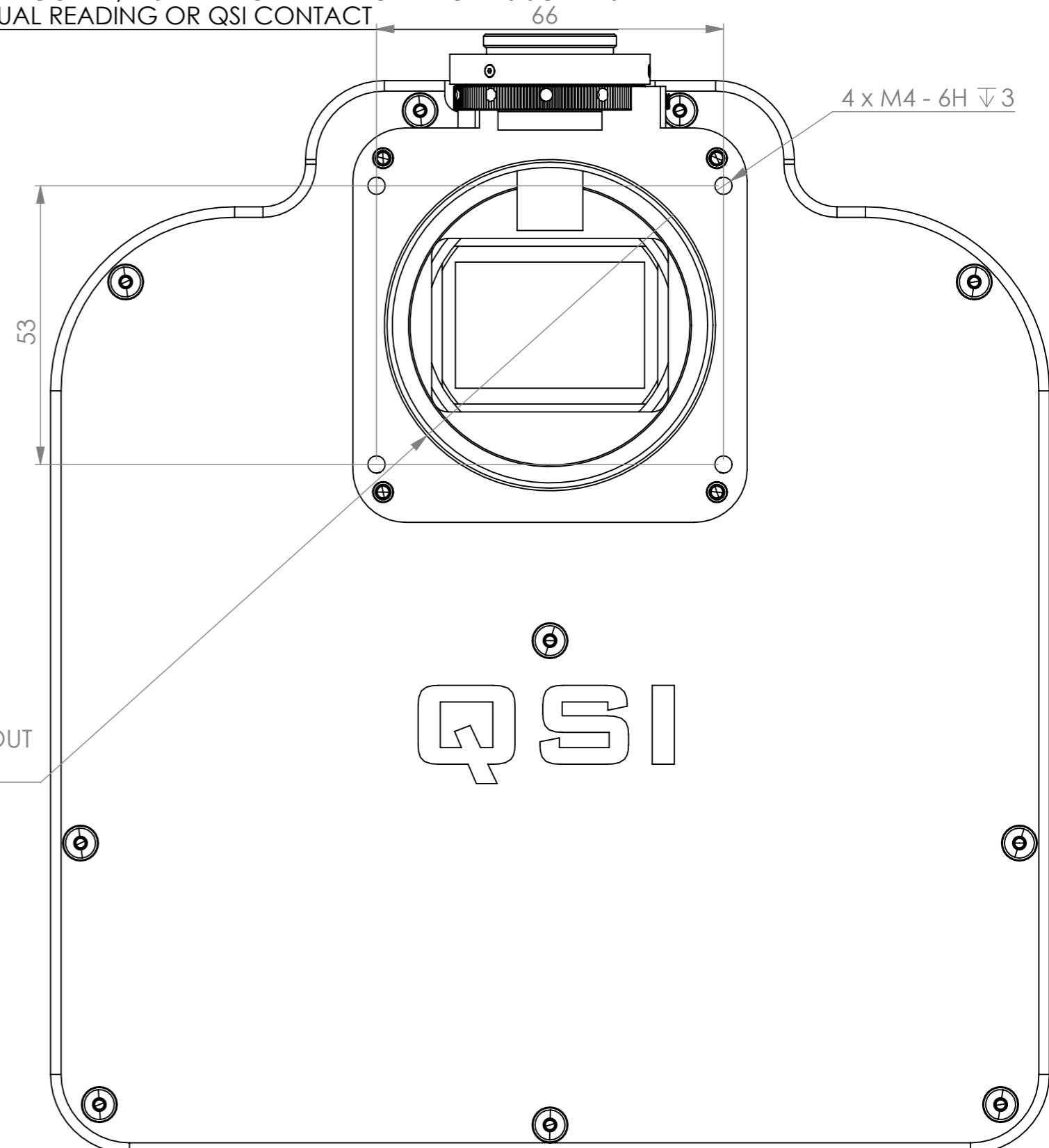
OBSERVATIONS:



TOL. ISO-2768-fk ALL DIMENSIONS ARE IN mm		MATERIAL:	OVERALL DIMENSIONS:	MASS (grams):
OVERALL ROUGHNESS: DEBURR AND BREAK SHARP EDGES: 0.2 x 45°		SURFACE TREATMENT:	HEAT TREATMENT:	HARDNESS: Hrc
3D	Marcelo Bernardes 24/06/2024	DESCRIPTION:		
2D	marcelobernades 06/12/2024	PART CODE:	QSI760W7	QTY:
VERIF.		SYMMETRIC PART CODE:	SYMM QTY:	
APROV.		SCALE: 1:1		



DESSICANT PORT COVER, IT SHALL NOT BE REMOVED OR ITS SCREWS WITHOUT MANUAL READING OR QSI CONTACT



M63 x 1 THREAD EMBEDDED ON OAG BODY, USE ONLY WITHOUT 3" DOVETAIL ADAPTER

NOTES:

- FOR CAMERA + OAG USAGE WITHOUT 3" DOVETAIL ADAPTER, THE STATED BACKFOCUS DISTANCES ARE GIVEN WITH M54 MOUNT/SPACER BETWEEN THE OAG AND THE CAMERA;
- FOR GUIDE CAMERAS WITH 8.5mm OF BACKFOCUS THE M54 MOUNT/SPACER SHALL BE REMOVED, WITH THAT THE GIVEN BACKFOCUS DISTANCES WILL BE REDUCED BY 4mm (46.60 & 43.60, RESPECTIVELY);
- ALL GIVEN BACKFOCUS DISTANCES ARE PURELY MECHANICAL, FOR OPTICAL BACKFOCUS OF THE QSI 700 CAMERAS, CONSIDER ADDING 1.23mm TO EXISTENT DATA;

OBSERVATIONS:		MATERIAL:		OVERALL DIMENSIONS:		MASS (grams):	
TOL. ISO-2768-fk ALL DIMENSIONS ARE IN mm		SURFACE TREATMENT:		HEAT TREATMENT:		HARDNESS: Hrc	
OVERALL ROUGHNESS: DEBURR AND BREAK SHARP EDGES: 0.2 x 45°		DESCRIPTION:		PART CODE:		QTY:	
3D	Marcelo Bernardes 24/06/2024	2D		marcelobernades 06/12/2024		QSI760W7	
VERIF.		APROV.		SYMMETRIC PART CODE:		SYMM QTY:	
SCALE: 1:1							

